



This symbol on the product or on its packaging indicates that it should be treated as household waste. In fact, it must be handed over to a recognised collection point for the recycling of electrical and electronic equipment. For more detailed information about the recycling of this product, please contact your local city technical office or the shop where you purchased the product.

# Sanaura



**ALABASTRO SEVILLE**

Pendant Light

CE

---

# Sanaura

[WWW.SANIPEXGROUP.COM](http://WWW.SANIPEXGROUP.COM)

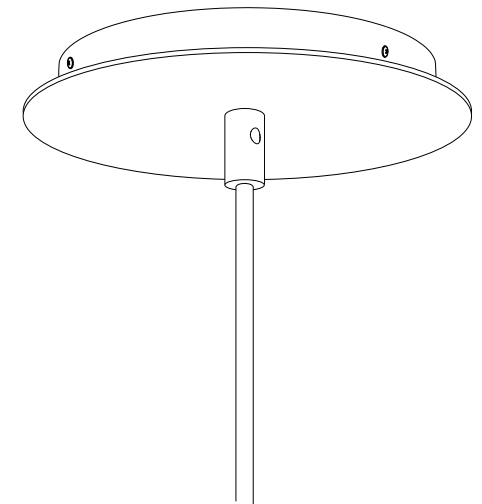
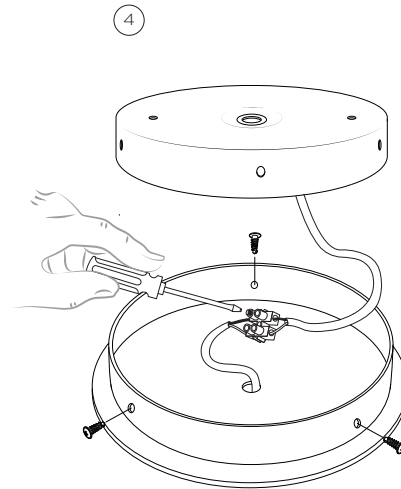
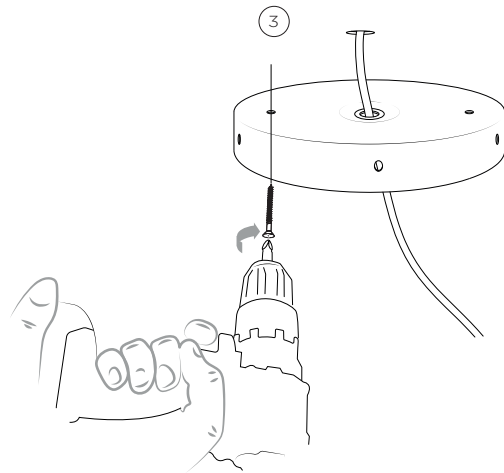
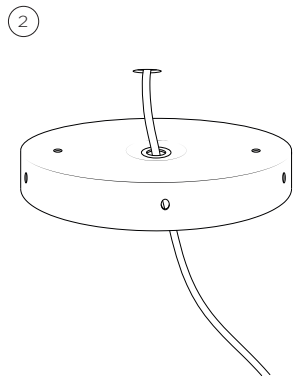
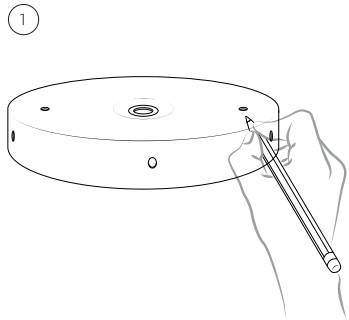
---

[WWW.SANIPEXGROUP.COM](http://WWW.SANIPEXGROUP.COM)

INSTRUCTIONS

## ASSEMBLY DIAGRAM

1. Mark with base and drill holes
2. Pass the mains power cable through the central hole in the base disc.
3. Fix the sota base disc to the ceiling using suitable plugs and screws.
4. Connect the cables to the connection strips, located at the base of the luminaire and fit the base of the luminaire to the sota base disc using the screw plugs.



### ALABASTRO SEVILLE NATURAL GELSA ALABASTER

Each piece is unique and unrepeatable  
Cover photo not contractual

### TECHNICAL DATA

Luminaire for indoor use  
Power factor 1  
LED lamp 3W. 230V. G9  
3000K included Double  
insulated electric cable, without  
earth connection

### WARNING

Disconnect from the mains before carrying out any manipulation.  
We recommend that the luminaires are installed by a professional installer.

The luminaire should only be cleaned with a damp cloth,  
without solvents or alcohols.